



**Electrolux**  
PROFESSIONAL

**Beverage Dispensing System  
Hot Chocolate Dispenser, 3 L,  
black**

ITEM # \_\_\_\_\_

MODEL # \_\_\_\_\_

NAME # \_\_\_\_\_

SIS # \_\_\_\_\_

AIA # \_\_\_\_\_



560018 (LOLA3)

Hot Chocolate Dispenser  
with 3 l bowl

### Short Form Specification

Item No. \_\_\_\_\_

3lt hot chocolate dispenser; compact design. Transparent and extractable bowl that can be easily put in the fridge during the night. The vertical tap is easy to clean and to disassemble.

### Main Features

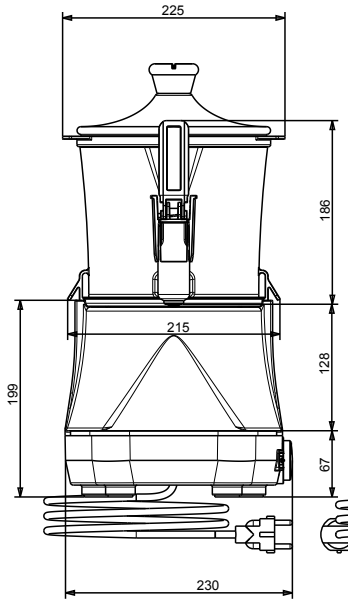
- Hot chocolate dispenser ideal also for small places thanks to its compact design.
- Transparent and extractable bowl that can be easily put in the fridge during the night.
- The vertical tap is easy to clean and to disassemble.

APPROVAL: \_\_\_\_\_

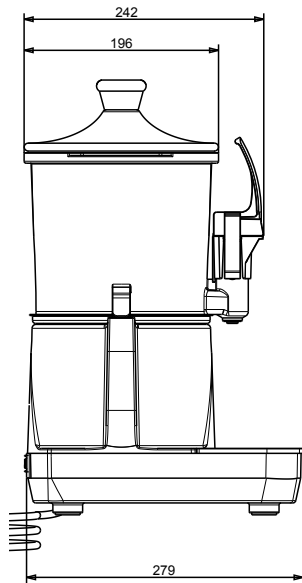


Experience the Excellence  
[www.electroluxprofessional.com](http://www.electroluxprofessional.com)

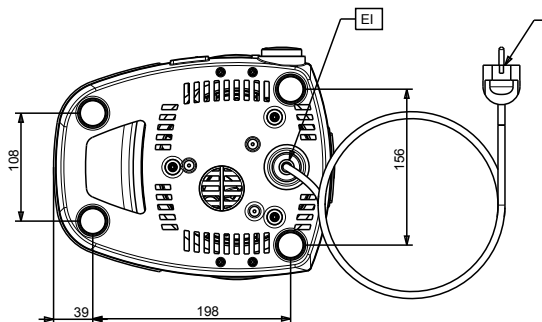
Front



Side



Top



## Electric

Supply voltage:

560018 (LOLA3) 220-240 V/1 ph/50 Hz

Electrical power max.:

0.85 kW

## Key Information:

External dimensions, Width: 233 mm

External dimensions, Depth: 281 mm

External dimensions, Height: 436 mm

Net weight: 5.2 kg

Shipping weight: 7 kg

Shipping height: 490 mm

Shipping width: 320 mm

Shipping depth: 360 mm

Shipping volume: 0.06 m<sup>3</sup>